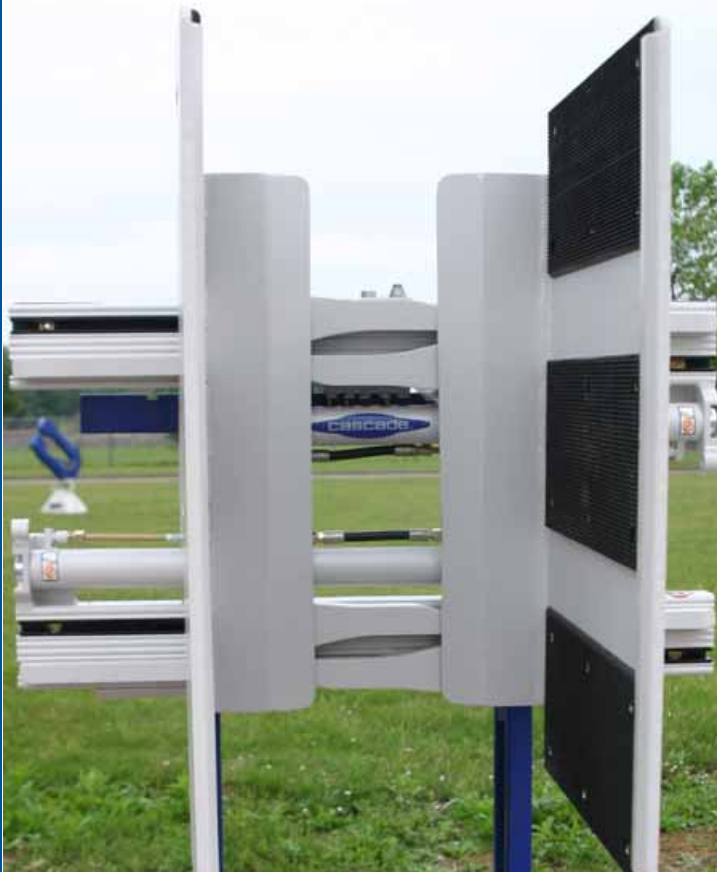




All Cascade products are born with a heritage of world class engineering and design. We know the importance of the load you handle. The new G-Series range of clamps have been created to match this in strength, efficiency, versatility ...and sensitivity. We have developed an instinct to handle your load with care.



The powerful Cascade G-series. It'll take a load off your mind.

TV CLAMPS

These clamps are specially designed to handle boxes containing television sets or white goods. Adapted clamping force and thin, rubber faced arms avoid damage to the load and make close stacking and break out possible.

Experience and knowledge are the driving forces in developing superior products. During the past 60 years, our attachments have evolved to be stronger, faster, and easier to use. The G-Series is the latest in this evolution, comprising the best features of previous generations as well as new technologies to become our best clamp ever. As with all Cascade products, we have tested our G-Series Clamps to the limit. Our goal is to provide you with attachments that are reliable, durable and easy to service while improving driver safety and productivity.

POWERFUL. PRECISE. PREPARED FOR THE JOB.

Each of the G-Series Clamps is designed to do a particular job, and do it right, so you find the right clamp for any load. With these features and a variety of options the result is faster, safer and more precise handling, leading to improved productivity, less damage and happy customers.

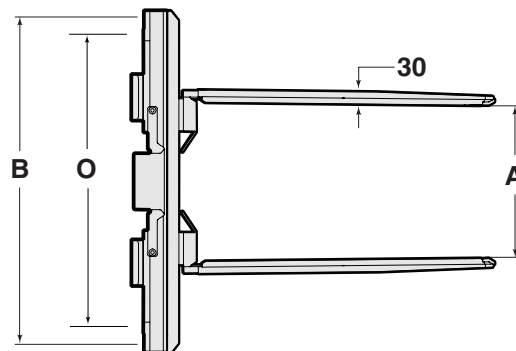
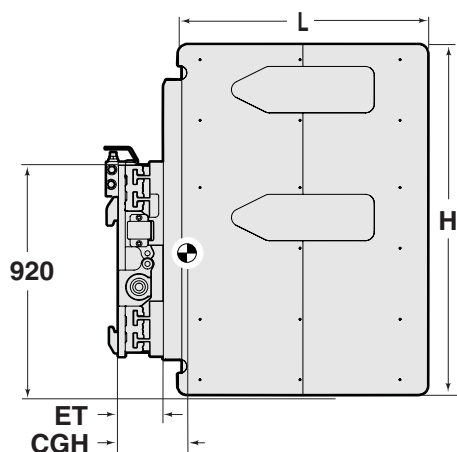
FEATURES

- Full length one-piece replaceable arm bearings.
- Cartridge type check valve.
- Accessible but protected valve block.
- Replaceable wear strips.
- Pressure gauge test ports.

OPTIONS

- Special frame widths and opening ranges.
- High or Low pressure operating system.

- Basic and sideshifting models.
- Variety of arm / fork sizes.
- Independent arm control.
- Regeneration valve (faster opening speed for low flow electric trucks).
- External sideshifting mounting.
- Hydraulic valve with clamp function on left or right hand side.



Model	Capacity at loadcentre kg/mm	Frame width B (mm)	Opening range at tips A (mm)	Contact plate height H (mm)	Contact plate length L (mm)	Min. Truck carriage width		Centre of gravity CGH (mm)	Mass kg	Mounting Class ISO-2328
						O (mm)	ET (mm)			
20G-ACS-A121 ¹	800/500	850	490-1500	1000	650	835	160	271	439	2A
20G-ACS-A122 ¹		850	490-1500	1000	900			373	525	
20G-ACS-A221		950	580-1765	1000	650			265	452	
20G-ACS-A222		950	580-1765	1000	900			366	538	
20G-ACS-A321		1050	490-1700	1000	650			262	458	
20G-ACS-A322		1050	480-1680	1000	900			362	544	
28G-ACS-A212	1000/500	980	500-1645	800	900	835	175	338	517	2A
28G-ACS-A232		980	500-1645	1200				393	651	
28G-ACS-A312		1050	485-1690	800				335	524	
28G-ACS-A332		1050	485-1690	1200				390	658	
36G-ACS-A212	1200/500	950	485-1590	800	900	835	184	330	551	2A
36G-ACS-A232		950	485-1650	1200				386	685	
36G-ACS-A312		1050	475-1665	800				325	563	
36G-ACS-A332		1050	475-1665	1200				380	697	

NOTES

¹ Appliance clamps suitable for reachtrucks.

> G-Series : Lift trucks with auxiliary pressures between 155 / 189 bar max, require low pressure attachments. Lift trucks with auxiliary pressures between 190 / 250 bar max, require high pressure attachments.

> Standard open and close on RH, side shift connection on LH of valve. Cascade can supply open and close on LH and SS on RH side of valve.

OPTIONS

Quick-Disconnect Mounting Kit (ISO 2)

Non Sideshifting Models

Frame bumper

External Sideshifting Mounting (200 mm)

Regeneration Valve

Hydraulic Flow (l/min)

Model	Min. flow	Recomm. Flow	Max. flow	Max. Pressure (bar)
20G-ACS	19	26	38	250
28G-ACS	19	26	38	250
36G-ACS	19	26	38	250

Hydraulic Functions

Model	Hydraulic Functions	Truck auxiliary valves required
20G-ACS	2	2
28G-ACS	2	2
36G-ACS	2	2