



## Superior arm and pad profile

### APPLICATIONS

The H-Series Roll Clamp was designed with a thinner pad profile to eliminate damage while knifing in between rolls in containers, trailers and rail cars. Excellent visibility through the arms and frame allow for maximum productivity and reduced damage.

### FEATURES

- Split arm or solid arm
- Ultra thin profile pads
- New pad alignment system utilizing dual spring technology holds the contact pads in proper alignment
- Excellent visibility through arms
- Fast arm speed
- Optimized pad height to maximize range of roll sizes
- Pad protectors
- Fixed or positionable short arm
- 45° short arm positioning
- 360° or 180° rotation
- Heavy-duty rotator drivetrain proven to provide superior durability

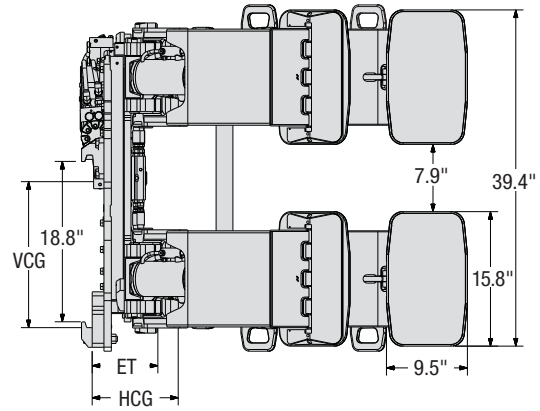
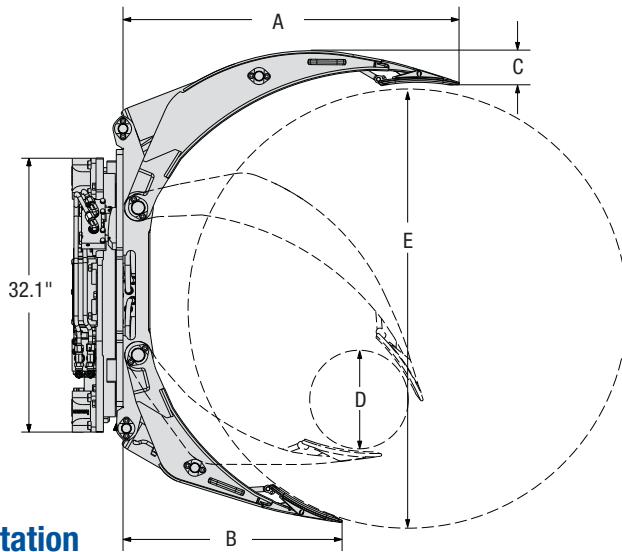
### OPTIONS

- Industry's widest offering of contact pads
- Adaptive Force Control (AFC)
- Full height contact pads (non-split)
- 180° Stop Group
- Hydraulic Force Control (HFC)

*Thin arm profile  
for easier knifing  
in between rolls.*



# 25H PIVOT ARM ROLL CLAMP



## 360° Rotation

Capacity @ max. roll diameter	Roll Range D-E	Short Arm Type	Catalog Order No.	Mtg. Class	Mtg. Angle	Weight		Effective Thickness ET	Horizontal Ctr. of Gravity HCG	Vertical Ctr. of Gravity VCG	Long Arm Length A	Short Arm Length B	Long Arm Thickness C	
						lbs	kg							
<b>Swing Frame/Solid Arm</b>														
5,500 @ 51"	2,500 @ 1,300	8"-51"	Positioned	<b>25H-RBS-B001</b>	III	0°	1,784	810	8.1"	10.6"	16.9"	35.7"	22.6"	1.7"
5,050 @ 55"	2,300 @ 1,400	8"-55"	Positioned	<b>25H-RBS-B003</b>	III	0°	1,816	825	8.1"	10.6"	16.9"	37.5"	24.6"	1.7"
4,600 @ 60"	2,100 @ 1,525	8"-60"	Positioned	<b>25H-RBS-B005</b>	III	0°	1,885	856	8.1"	11.6"	16.9"	39.6"	27.4"	1.7"
<b>Swing Frame/Split Arm</b>														
5,500 @ 51"	2,500 @ 1,300	8"-51"	Positioned	<b>25H-RES-B001</b>	III	0°	1,770	804	8.1"	10.4"	16.9"	35.7"	22.6"	1.7"
5,050 @ 55"	2,300 @ 1,400	8"-55"	Positioned	<b>25H-RES-B003</b>	III	0°	1,801	818	8.1"	10.5"	16.9"	37.5"	24.6"	1.7"
4,600 @ 60"	2,100 @ 1,525	8"-60"	Positioned	<b>25H-RES-B005</b>	III	0°	1,871	850	8.1"	11.5"	16.9"	39.6"	27.4"	1.7"
<b>Fixed Frame/Solid Arm</b>														
5,500 @ 51"	2,500 @ 1,300	8"-51"	Positioned	<b>25H-RBP-B001</b>	III	0°	1,561	709	7.7"	10.6"	16.7"	35.7"	22.6"	1.7"
5,050 @ 55"	2,300 @ 1,400	8"-55"	Positioned	<b>25H-RBP-B003</b>	III	0°	1,575	715	7.7"	10.1"	16.8"	37.5"	24.6"	1.7"
4,600 @ 60"	2,100 @ 1,525	8"-60"	Positioned	<b>25H-RBP-B005</b>	III	0°	1,641	745	7.7"	11.5"	16.7"	39.6"	27.4"	1.7"
4,500 @ 63"	2,050 @ 1,600	8"-63"	Positioned	<b>25H-RBP-B007</b>	III	0°	1,671	759	7.7"	11.8"	16.7"	39.5"	29.1"	1.9"
<b>Fixed Frame/Split Arm</b>														
5,500 @ 51"	2,500 @ 1,300	8"-51"	Positioned	<b>25H-REP-B001</b>	III	0°	1,539	699	7.7"	10.5"	16.7"	35.7"	22.6"	1.7"
5,050 @ 55"	2,300 @ 1,400	8"-55"	Positioned	<b>25H-REP-B003</b>	III	0°	1,553	705	7.7"	10.8"	16.7"	37.5"	24.6"	1.7"
4,600 @ 60"	2,100 @ 1,525	8"-60"	Positioned	<b>25H-REP-B005</b>	III	0°	1,619	735	7.7"	11.4"	16.7"	39.6"	27.4"	1.7"
4,500 @ 63"	2,050 @ 1,600	8"-63"	Positioned	<b>25H-REP-B007</b>	III	0°	1,649	749	7.7"	11.8"	16.7"	39.5"	29.1"	1.9"

- ▶ All models can also be configured with a fixed short arm. Consult Cascade for model number and specifications.
- ▶ Full height contact pads are available. Consult Cascade for catalog order number.
- ▶ Swing frame clamps require a Control Valve Group and 3-function hosing over the mast.

## ROTATOR SPECIFICATIONS

Rotator Speed
7 RPM @ 15 GPM

▶ Optional motors providing increased torque are available. Reduced speed will result.

## INSTALLATION KIT

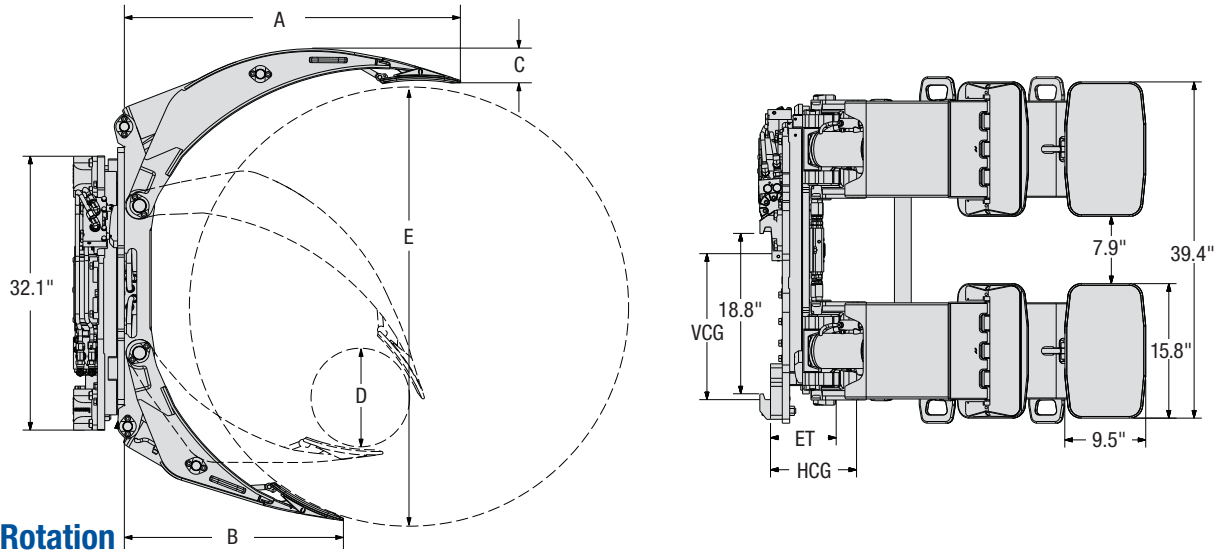
Clamp Type	Catalog Order No.
Fixed Frame	212904
Swing Frame	675157

## HYDRAULIC FUNCTIONS

Model	Hydraulic Functions	Truck Aux. Valves Required
Fixed Frame	2	2
Swing Frame	3	2

## HYDRAULIC FLOW & PRESSURE

Min. Flow	Recommended Flow	Max. Flow	Max. Pressure
5 GPM	10 GPM	15 GPM	2,300 PSI



## 360° Rotation

Capacity @ max. roll diameter		Roll Range	Short Arm Type	Catalog Order No.	Mtg. Class	Mtg. Angle	Weight		Effective Thickness	Horizontal Ctr. of Gravity	Vertical Ctr. of Gravity	Long Arm Length	Short Arm Length	Long Arm Thickness
lbs @ in.	kg @ mm	D-E					lbs	kg	ET	HCG	VCG	A	B	C
<b>Swing Frame/Solid Arm</b>														
6,600 @ 51"	3,000 @ 1,300	8"-51"	Positioned	<b>30H-RBS-B001</b>	III	0°	1,812	823	8.1"	10.7"	16.9"	35.7"	22.6"	1.7"
6,150 @ 55"	2,800 @ 1,400	8"-55"	Positioned	<b>30H-RBS-B003</b>	III	0°	1,837	834	8.1"	10.6"	16.9"	37.5"	24.6"	1.7"
5,600 @ 60"	2,550 @ 1,525	8"-60"	Positioned	<b>30H-RBS-B005</b>	III	0°	1,903	864	8.1"	11.6"	16.9"	39.6"	27.4"	1.7"
5,400 @ 63"	2,450 @ 1,600	8"-63"	Positioned	<b>30H-RBS-B007</b>	III	0°	1,938	880	8.1"	11.9"	17.0"	43.2"	32.9"	1.9"
4,700 @ 72"	2,150 @ 1,830	8"-72"	Positioned	<b>30H-RBS-B009</b>	III	0°	2,082	946	8.1"	12.8"	17.0"	45.4"	33.3"	1.7"
<b>Swing Frame/Split Arm</b>														
6,600 @ 51"	3,000 @ 1,300	8"-51"	Positioned	<b>30H-RES-B001</b>	III	0°	1,798	817	8.1"	10.5"	16.9"	35.7"	22.6"	1.7"
6,150 @ 55"	2,800 @ 1,400	8"-55"	Positioned	<b>30H-RES-B003</b>	III	0°	1,822	828	8.1"	10.4"	16.9"	37.5"	24.6"	1.7"
5,600 @ 60"	2,550 @ 1,525	8"-60"	Positioned	<b>30H-RES-B005</b>	III	0°	1,889	858	8.1"	11.5"	16.9"	39.6"	27.4"	1.7"
5,400 @ 63"	2,450 @ 1,600	8"-63"	Positioned	<b>30H-RES-B007</b>	III	0°	1,924	874	8.1"	11.7"	17.0"	43.2"	32.9"	1.9"
4,700 @ 72"	2,150 @ 1,830	8"-72"	Positioned	<b>30H-RES-B009</b>	III	0°	2,068	939	8.1"	12.2"	17.0"	45.4"	33.3"	1.7"
<b>Fixed Frame/Solid Arm</b>														
6,600 @ 51"	3,000 @ 1,300	8"-51"	Positioned	<b>30H-RBP-B001</b>	III	0°	1,598	726	7.7"	10.7"	16.7"	35.7"	22.6"	1.7"
6,150 @ 55"	2,800 @ 1,400	8"-55"	Positioned	<b>30H-RBP-B003</b>	III	0°	1,614	733	7.7"	11.0"	16.7"	37.5"	24.6"	1.7"
5,600 @ 60"	2,550 @ 1,525	8"-60"	Positioned	<b>30H-RBP-B005</b>	III	0°	1,679	763	7.7"	11.6"	16.7"	39.6"	27.4"	1.6"
5,400 @ 63"	2,450 @ 1,600	8"-63"	Positioned	<b>30H-RBP-B007</b>	III	0°	1,718	781	7.7"	12.0"	16.7"	43.2"	32.9"	1.9"
4,700 @ 72"	2,150 @ 1,830	8"-72"	Positioned	<b>30H-RBP-B009</b>	III	0°	1,856	843	7.7"	13.2"	16.7"	45.4"	33.3"	1.7"
<b>Fixed Frame/Split Arm</b>														
6,600 @ 51"	3,000 @ 1,300	8"-51"	Positioned	<b>30H-REP-B001</b>	III	0°	1,576	716	7.7"	10.6"	16.7"	35.7"	22.6"	1.7"
6,150 @ 55"	2,800 @ 1,400	8"-55"	Positioned	<b>30H-REP-B003</b>	III	0°	1,592	723	7.7"	10.9"	16.7"	37.5"	24.6"	1.7"
5,600 @ 60"	2,550 @ 1,525	8"-60"	Positioned	<b>30H-REP-B005</b>	III	0°	1,657	753	7.7"	11.5"	16.7"	39.6"	27.4"	1.6"
5,400 @ 63"	2,450 @ 1,600	8"-63"	Positioned	<b>30H-REP-B007</b>	III	0°	1,696	770	7.7"	11.9"	16.7"	43.2"	32.9"	1.9"
4,700 @ 72"	2,150 @ 1,830	8"-72"	Positioned	<b>30H-REP-B009</b>	III	0°	1,834	833	7.7"	13.1"	16.7"	45.4"	33.3"	1.7"

- ▶ All models can also be configured with a fixed short arm. Consult Cascade for model number and specifications.
- ▶ Full height contact pads are available. Consult Cascade for catalog order number.
- ▶ Class IV Mounting also available on all 30H Models. Consult Cascade.
- ▶ Swing frame clamps require a Control Valve Group and 3-function hosing over the mast.

## ROTATOR SPECIFICATIONS

Rotator Speed
7 RPM @ 15 GPM

- ▶ Optional motors providing increased torque are available. Reduced speed will result.

## INSTALLATION KIT

Clamp Type	Catalog Order No.
Fixed Frame	212904
Swing Frame	675157

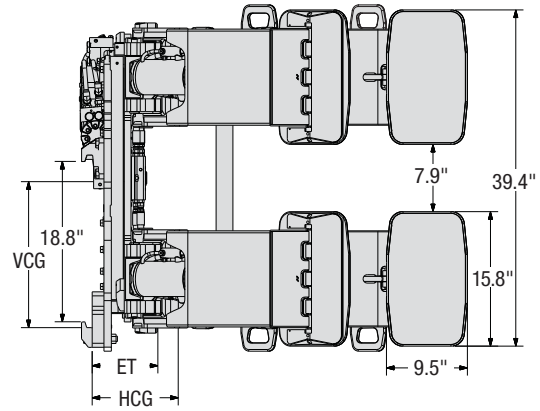
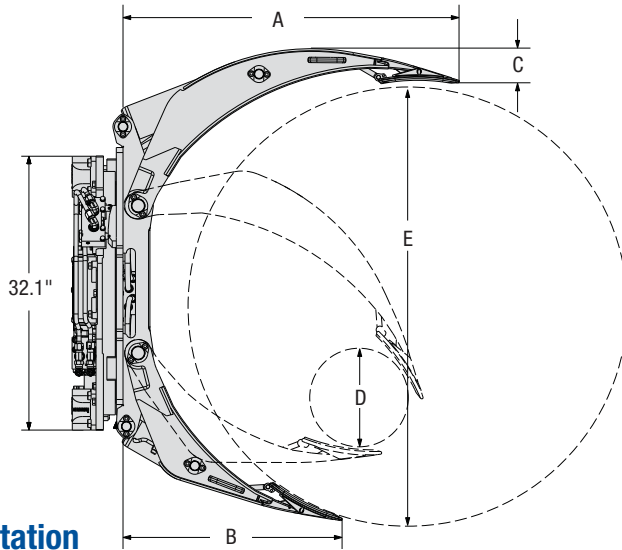
## HYDRAULIC FUNCTIONS

Model	Hydraulic Functions	Truck Aux. Valves Required
Fixed Frame	2	2
Swing Frame	3	2

## HYDRAULIC FLOW & PRESSURE

Min. Flow	Recommended Flow	Max. Flow	Max. Pressure
5 GPM	10 GPM	15 GPM	2,300 PSI

# 33H PIVOT ARM ROLL CLAMP



## 360° Rotation

Capacity @ max. roll diameter	Roll Range	Short Arm Type	Catalog Order No.	Mtg. Class	Mtg. Angle	Weight	Effective Thickness	Horizontal Ctr. of Gravity	Vertical Ctr. of Gravity	Long Arm Length	Short Arm Length	Long Arm thickness		
lbs @ in. kg @ mm	D-E					lbs kg	ET	HCG	VCG	A	B	C		
<b>Swing Frame/Solid Arm</b>														
7,700 @ 51"	3,500 @ 1,300	8"-51"	Positioned	<b>33H-RBS-B001</b>	III	0°	1,881	854	8.5"	10.9"	16.9"	35.7"	22.6"	1.7"
7,250 @ 55"	3,300 @ 1,400	8"-55"	Positioned	<b>33H-RBS-B003</b>	III	0°	1,916	870	8.5"	10.8"	16.9"	37.5"	24.6"	1.7"
6,600 @ 60"	3,000 @ 1,525	8"-60"	Positioned	<b>33H-RBS-B005</b>	III	0°	1,969	894	8.5"	11.8"	17.0"	39.6"	27.4"	1.7"
6,250 @ 63"	2,850 @ 1,600	8"-63"	Positioned	<b>33H-RBS-B007</b>	III	0°	2,026	920	8.5"	12.1"	17.0"	39.5"	29.1"	1.9"
5,500 @ 72"	2,500 @ 1,830	8"-72"	Positioned	<b>33H-RBS-B009</b>	III	0°	2,152	977	8.5"	12.8"	17.0"	44.0"	41.2"	2.0"
<b>Swing Frame/Split Arm</b>														
7,700 @ 51"	3,500 @ 1,300	8"-51"	Positioned	<b>33H-RES-B001</b>	III	0°	1,867	848	8.5"	10.7"	16.9"	35.7"	22.6"	1.7"
7,250 @ 55"	3,300 @ 1,400	8"-55"	Positioned	<b>33H-RES-B003</b>	III	0°	1,901	863	8.5"	10.7"	16.9"	37.5"	24.6"	1.7"
6,600 @ 60"	3,000 @ 1,525	8"-60"	Positioned	<b>33H-RES-B005</b>	III	0°	1,957	889	8.5"	11.6"	17.0"	39.6"	27.4"	1.7"
6,250 @ 63"	2,850 @ 1,600	8"-63"	Positioned	<b>33H-RES-B007</b>	III	0°	2,011	913	8.5"	11.9"	17.0"	39.5"	29.1"	1.9"
5,500 @ 72"	2,500 @ 1,830	8"-72"	Positioned	<b>33H-RES-B009</b>	III	0°	2,137	971	8.5"	12.7"	17.0"	44.0"	41.2"	2.0"
<b>Fixed Frame/Solid Arm</b>														
7,700 @ 51"	3,500 @ 1,300	8"-51"	Positioned	<b>33H-RBP-B001</b>	III	0°	1,667	757	8.2"	10.6"	16.7"	35.7"	22.6"	1.7"
7,250 @ 55"	3,300 @ 1,400	8"-55"	Positioned	<b>33H-RBP-B003</b>	III	0°	1,684	765	8.2"	10.9"	16.7"	37.5"	24.6"	1.7"
6,600 @ 60"	3,000 @ 1,525	8"-60"	Positioned	<b>33H-RBP-B005</b>	III	0°	1,744	792	8.2"	11.4"	16.7"	39.6"	27.4"	1.7"
6,250 @ 63"	2,850 @ 1,600	8"-63"	Positioned	<b>33H-RBP-B007</b>	III	0°	1,789	812	8.2"	11.9"	16.8"	39.5"	29.1"	1.9"
5,500 @ 72"	2,500 @ 1,830	8"-72"	Positioned	<b>33H-RBP-B009</b>	III	0°	1,924	874	8.2"	13.1"	16.8"	44.0"	41.2"	2.0"
<b>Fixed Frame/Split Arm</b>														
7,700 @ 51"	3,500 @ 1,300	8"-51"	Positioned	<b>33H-REP-B001</b>	III	0°	1,645	747	8.2"	10.4"	16.7"	35.7"	22.6"	1.7"
7,250 @ 55"	3,300 @ 1,400	8"-55"	Positioned	<b>33H-REP-B003</b>	III	0°	1,662	755	8.2"	10.8"	16.7"	37.5"	24.6"	1.7"
6,600 @ 60"	3,000 @ 1,525	8"-60"	Positioned	<b>33H-REP-B005</b>	III	0°	1,722	782	8.2"	11.3"	16.7"	39.6"	27.4"	1.7"
6,250 @ 63"	2,850 @ 1,600	8"-63"	Positioned	<b>33H-REP-B007</b>	III	0°	1,767	802	8.2"	11.7"	16.7"	39.5"	29.1"	1.9"
5,500 @ 72"	2,500 @ 1,830	8"-72"	Positioned	<b>33H-REP-B009</b>	III	0°	1,902	864	8.2"	12.9"	16.8"	44.0"	41.2"	2.0"

- ▶ All models can also be configured with a fixed short arm. Consult Cascade for model number and specifications.
- ▶ Class IV Mounting also available on all 33H Models. Consult Cascade.
- ▶ Full height contact pads are available. Consult Cascade for catalog order number.
- ▶ See inside pages for installation kits, rotator and hydraulic specifications.
- ▶ Swing frame clamps require a Control Valve Group and 3-function hosing over the mast.